

Table 2 Total and continuum secondary gamma-ray production cross section

*Except 684, 815, 1777, 2004 keV

** Energy range is between 0.35 MeV and 3.00MeV

Component	Cross Section Unit: barn				
	Exp. Value	Theoretical Cal.	Simakov et al.	Nuclear Data	
				JENDL-3.2	ENDF-B/W
Discrete*	0.444 ± 0.052	0.465	0.645 ± 0.050	-----	-----
Continuum**	1.270 ± 0.15	0.502	-----	-----	-----
Total**	1.776 ± 0.17	0.967	-----	0.807	0.985

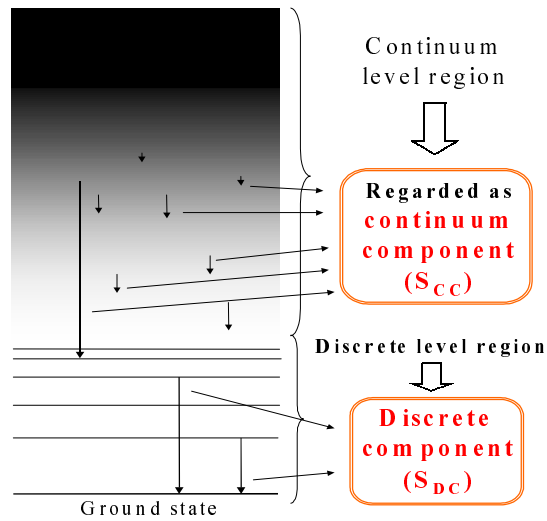


Fig. 1 Image of secondary gamma-ray and excited levels

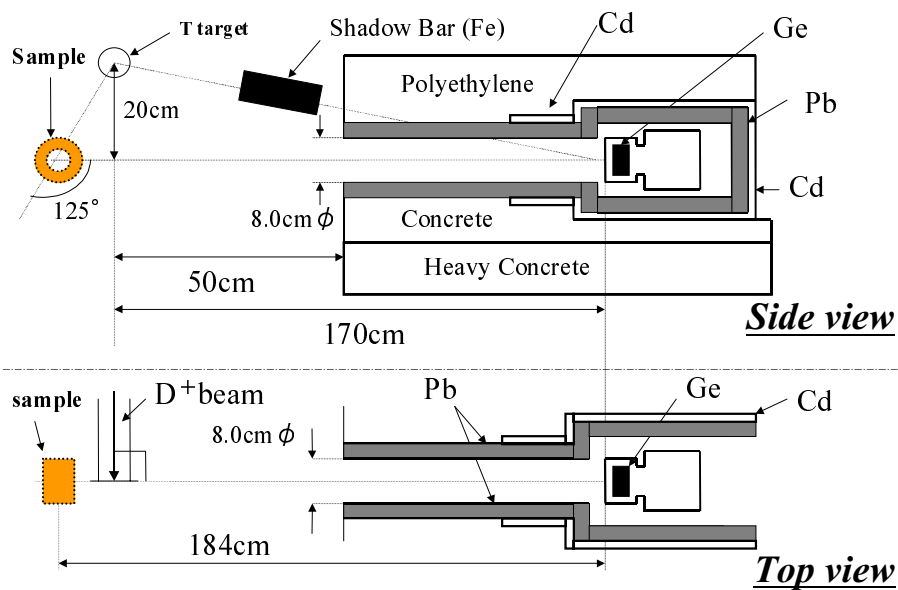


Fig.2 Schematic Experimental Arrangement